



Switching, Sensing and Control Solutions

from GENTECH INTERNATIONAL LTD

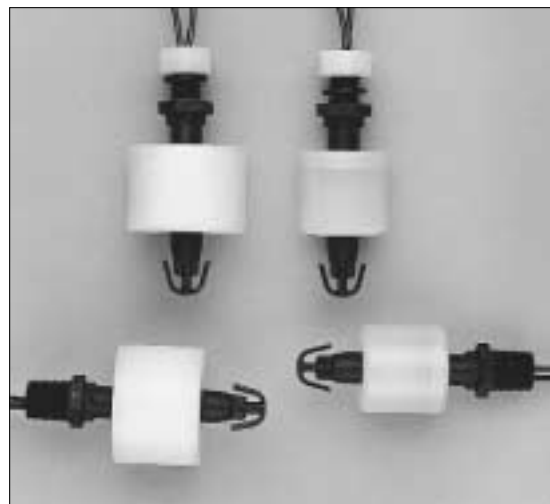
Grangestone Industrial Estate, Girvan, Ayrshire KA26 9PS, United Kingdom

Telephone: +44 (0) 1465-713581. Fax: +44 (0) 1465 714974

Email: sales@gentech-international.co.uk

Website: www.gentechinternational.com

VCS SERIES VERTICAL LIQUID LEVEL SENSORS



DESIGN FEATURES

- High or low level sensing
- Normally open or normally closed operation by float reversal
- Reed switch reliability up to 15 watt rating (UL File E153493)
- Polypropylene or nylon housing and float
- Internal fit
- 1/8" NPT taper or M8 x 1.25mm thread
- Sealing 'O' ring on VCS-02 VCS-04 & VCS-06 suitable for a wide range of chemicals
- Temperature range up to 70°C
- 30mm or 22mm diameter float options
- Minimum SG 0.70
- Overall length less than 60mm (2 1/2 inches)
- Interface control system available
- VCS-01 and VCS-02 foamed polypropylene float-magnet wetted
- VCS-03/04 hollow polypropylene & VCS-05 /06 nylon, float-magnet (sealed)

Operational Characteristics

Contact Configuration	SPST	
Contact ratings maximum (resistive loads)	Volts DC	100
	Volts AC	250
	Amps	1.0
	Watts	15
Minimum withstand across open contacts	Volts	800
Initial contact resistance	Ohms	0.25

The above contact ratings are for resistive loads. For inductive, capacitive and tungsten filament lamp loads refer to the circuit protection notebook.

When the non magnet end of the float is positioned against the float stop (as shown in the drawings over) the switch contacts are closed. The switch function can be changed from contacts normally closed to contacts normally open by simply compressing the float stop arms, removing and reversing the float and reassembling.

Environmental Specifications

HOUSING AND FLOAT MATERIAL	Polypropylene (VCS-01,02,03 & 04)	Nylon 6.6 (VCS-05 & 06)
NITRILE 'O' RING		
OPERATING TEMPERATURE	-30° to +70°C	-30° to +70°C

Detailed chemical resistance information for specific liquids is available on request.

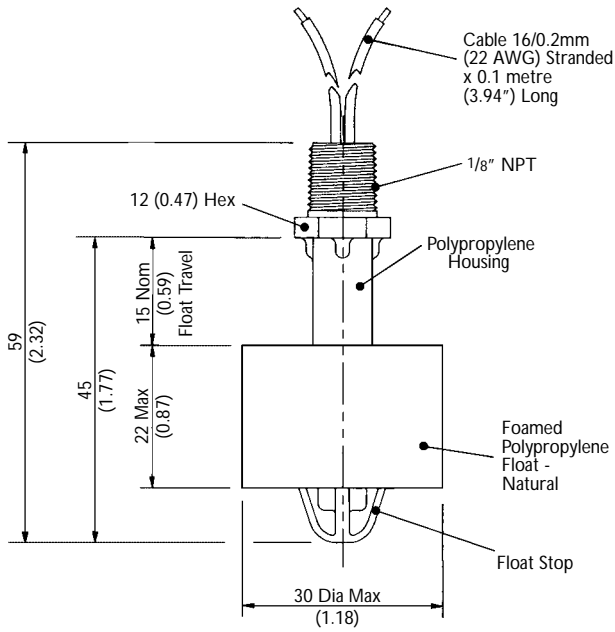
Mechanical Specification

Mounting Position	Operate Window	Shock	Vibration
±15° from vertical	within 5mm (0.196") from float stop	50g for 11ms duration (reed switch only)	35g up to 500Hz (reed switch only)

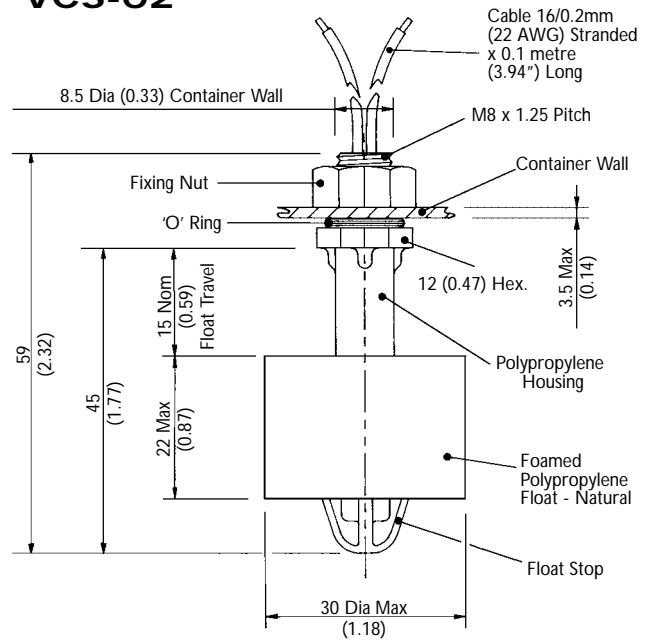
Electrical Connections

Fitted with 2 x 0.1 metres of 22 AWG, 16/0.2mm stranded, with PVC insulation.

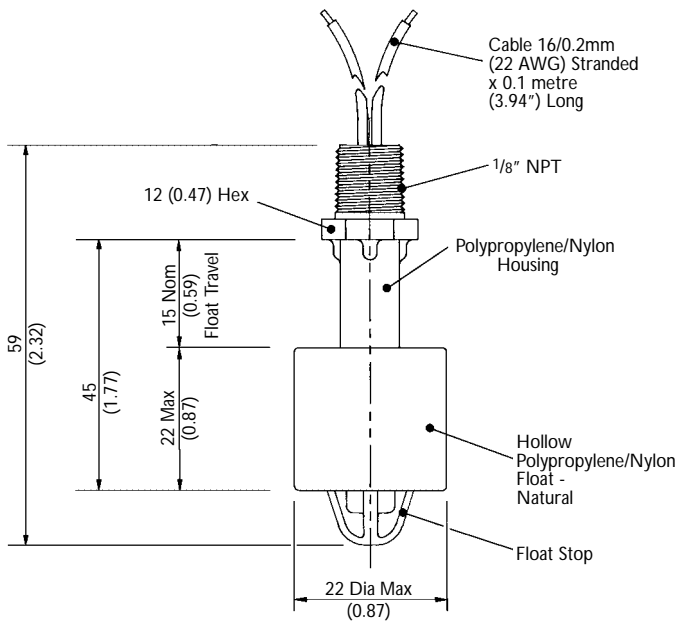
VCS-01



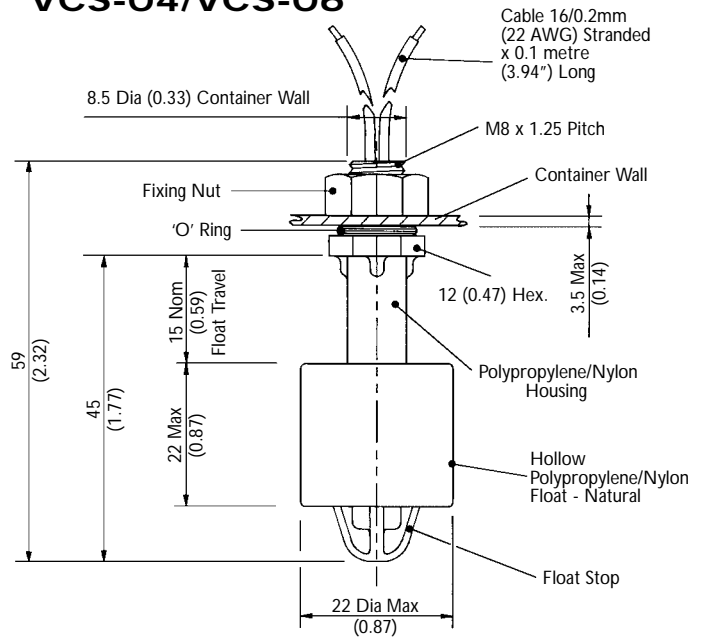
VCS-02



VCS-03/VCS-05



VCS-04/VCS-06



Installation

Please contact Sales at Gentech for installation instructions (Ref. FI-0700-R1)

Applications

Please contact Sales at Gentech for applications relating to this product group.



GENTECH INTERNATIONAL LTD
 Grangestone Industrial Estate, Girvan, Ayrshire KA26 9PS, United Kingdom
 Telephone: +44 (0) 1465-713581. Fax: +44 (0) 1465 714974
 Email: sales@gentech-international.co.uk
 Website: www.gentech-international.com